

End Suction



Features & Benefits

The design feature allows the complete rotating element to be removed for servicing without disconnecting pipework. If a spacer coupling is fitted then motor does not have to be moved. On re-assembly of pump coupling re-alignment problems are completely eliminated.

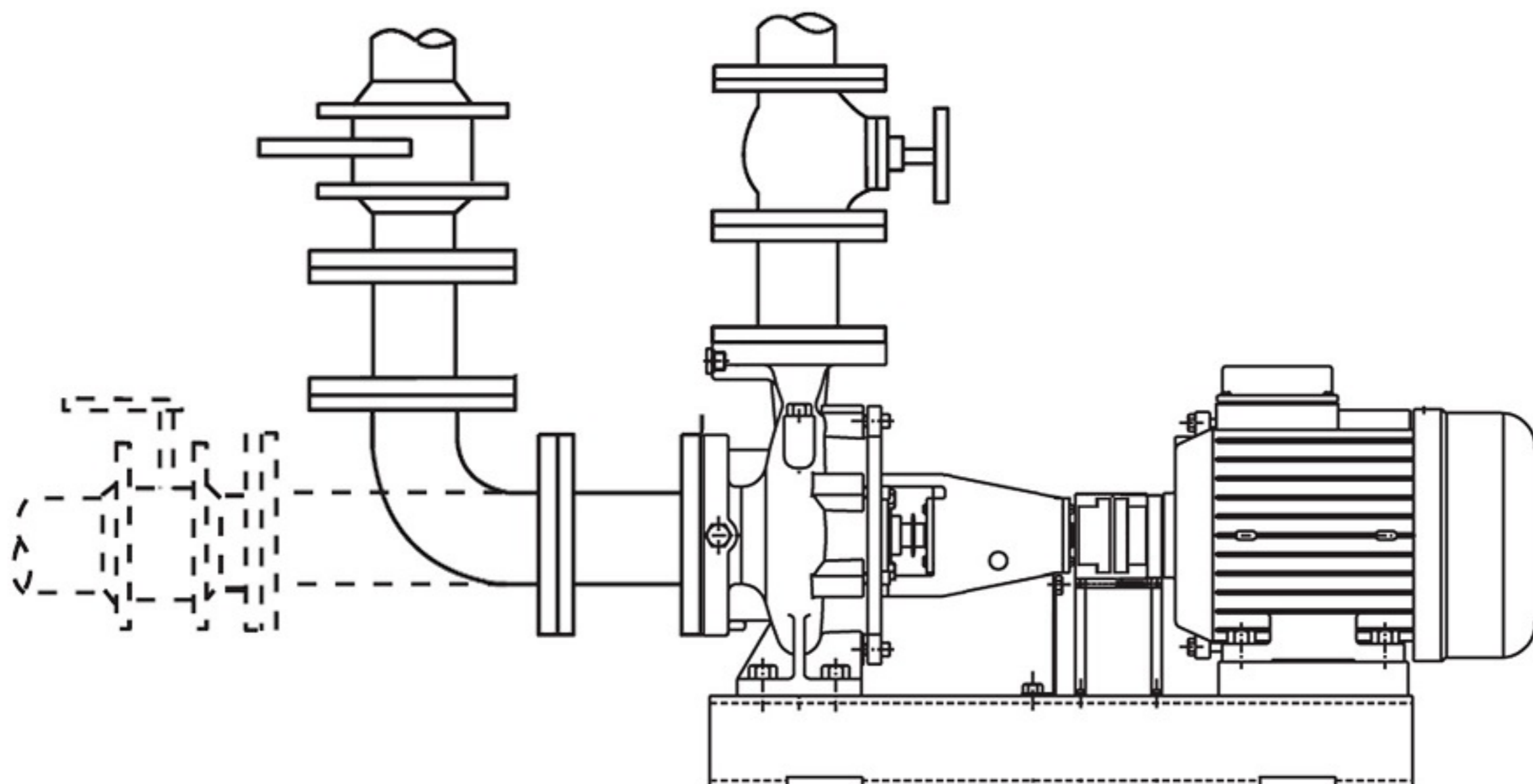
Applications

- ▶ Fire-fighting systems
- ▶ Water supply systems
- ▶ Industrial circulating systems
- ▶ Water systems for industrial uses
- ▶ Warm water heating, chilled & cooling water systems

Operation Data

Pump Size	DN 32 up to 300 mm
Capacities	up to 300 l/s
Heads	up to 150 Meter
Speed	1450 - 2900 rpm
Motor Rating	up to 160 kW
Operating Temperature	up to 105°C*

* The material of pumps differ according to the type of pumped liquid, operating temperature and pressure.



Performance Range

